

PureLine  
24" Speed Oven

H 6800 BM



# PureLine Speed Oven H 6800 BM



## H 6800 BM

### Features:

- M Touch controls are both easy to operate and navigate. An intuitive swipe of the screen will quickly lead you to your desired selection
- 19 operating modes
- Rapid Preheat
- Roast probe for perfect roasting results
- MasterChef menu offers over 100 food types to cook to perfection
- Favorites - up to 20 recipes
- 1,000 watt microwave
- Popcorn button
- Minute Plus button - time and power individually programmable
- PerfectClean interior
- Timer
- Sabbath Program
- The simple yet sleek Silhouette handle seems to float enhancing its modern design lines



## SPECIFICATIONS

### H 6800 BM – Item 22680054USA

Overall Unit Width - Excluding Fascia Dimension	22 <sup>1</sup> / <sub>16</sub> " (560 mm)
Overall Unit Height - Excluding Fascia Dimension	17 <sup>1</sup> / <sub>2</sub> " (445 mm)
Overall Unit Depth - Excluding Fascia Dimension	21 <sup>5</sup> / <sub>16</sub> " (542 mm)
Oven Door Clearance	12 <sup>5</sup> / <sub>16</sub> " (313 mm)
Overall Fascia Dimensions	23 <sup>7</sup> / <sub>16</sub> " (595 mm) W x 17 <sup>15</sup> / <sub>16</sub> " (455 mm) H x 7 <sup>7</sup> / <sub>8</sub> " (23 mm) D

### Built-In

Minimum Cabinet Opening Width	22 <sup>1</sup> / <sub>16</sub> " (561 mm)
Minimum Cabinet Opening Depth	21 <sup>5</sup> / <sub>8</sub> " (550 mm)
Minimum Cabinet Opening Height	17 <sup>3</sup> / <sub>4</sub> " (450 mm)
Minimum Base Support	125 lbs

### Electrical

Electrical Requirements*	120/208-240V, 60Hz, Min, 20A - Max. 30A
Power Cord	Molded NEMA 14-30 plug, 6 ft. (1.8 m)
Electrical Rating	4kW (120/240V), 3kW (120/208V)

### Shipping

Shipping Weight	126 lbs
Shipping Dimensions	25 <sup>5</sup> / <sub>8</sub> " (727 mm) W x 24 <sup>13</sup> / <sub>16</sub> " (630 mm) H x 27" (686 mm) L

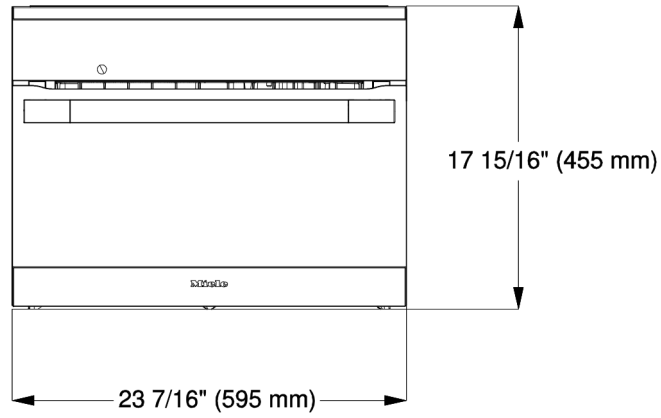
### Support

Call Miele	(800) 999-1360
Miele Website	<a href="http://www.mieleusa.com">www.mieleusa.com</a>
20/20 Link	<a href="http://2020technologies.com">2020technologies.com</a>

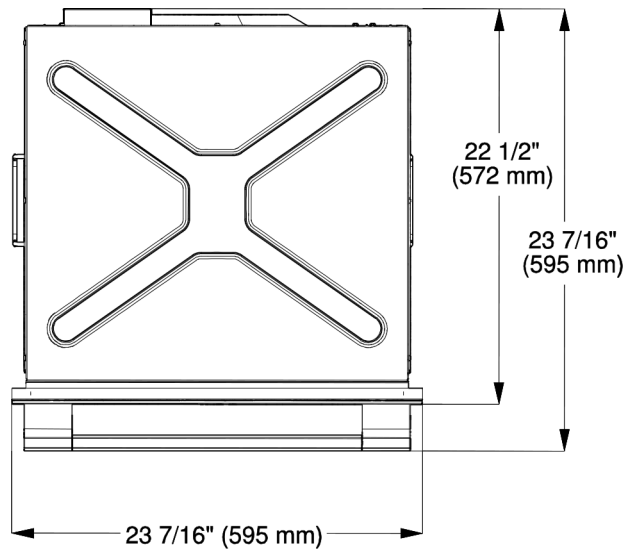
\* Minimum branch circuit fuse rating should be 20 A and maximum fuse rating must not be greater than 30 A.

PRODUCT VIEWS

Front View

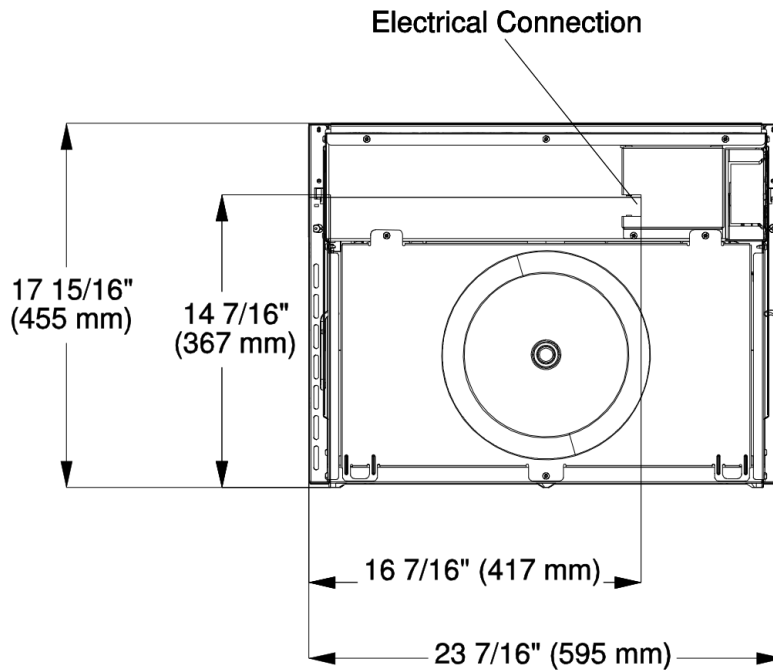


Top View

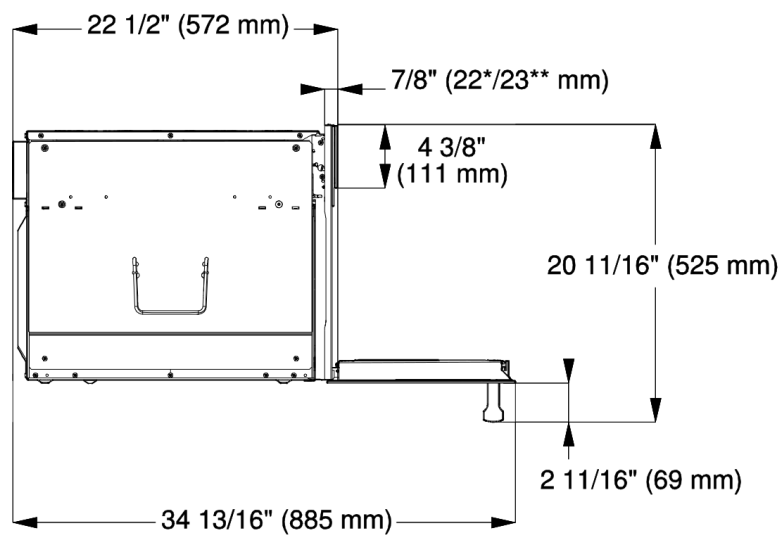


PRODUCT VIEWS

Rear View



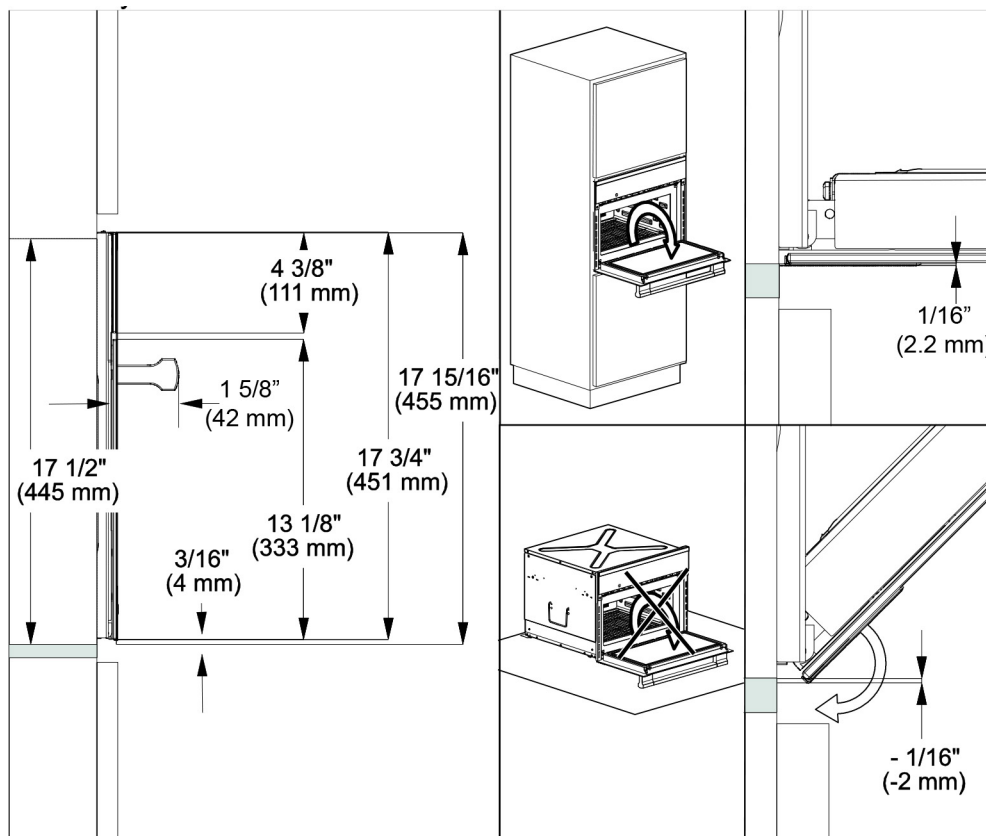
Side View



\* Oven with glass front  
\*\* Oven with metal front

## INSTALLATION SPECIFICATIONS

### Door Swing Details

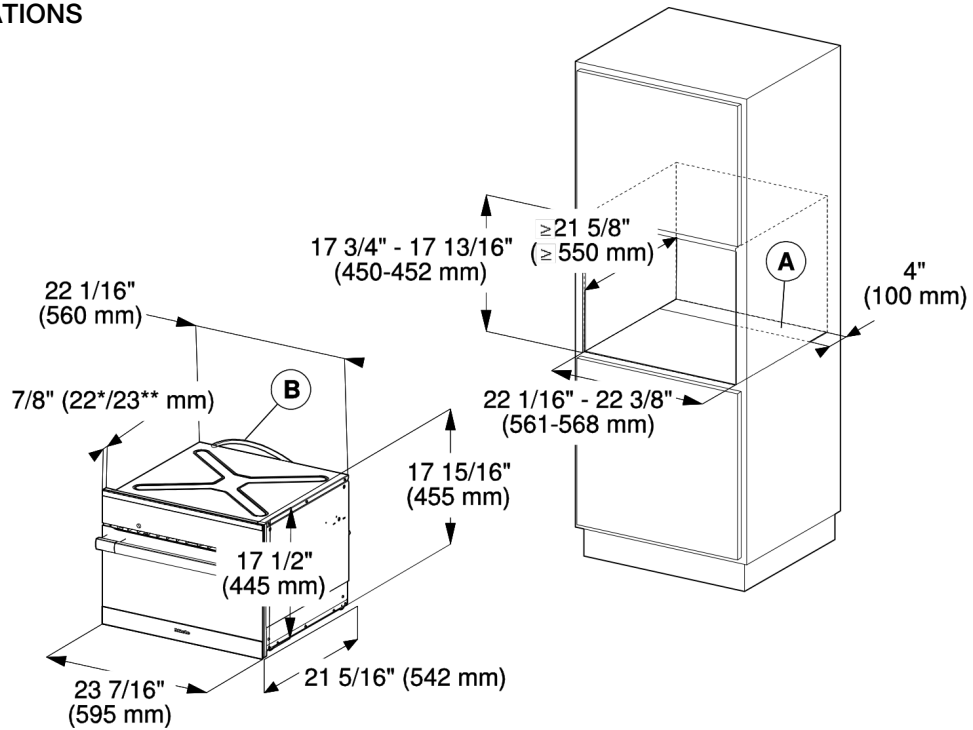


# PureLine Speed Oven H 6800 BM



## INSTALLATION SPECIFICATIONS

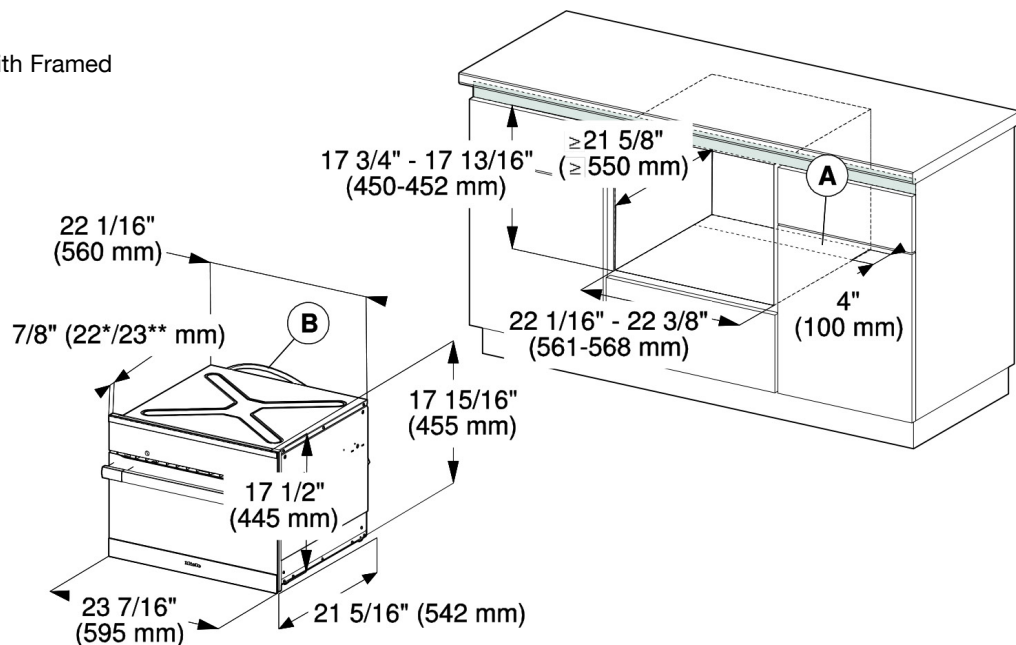
Install in Tall Cabinet



- (A) Cut-out (4" x 22" / 100 mm x 560 mm) in the bottom of the cabinet for power cord and ventilation
- (B) Power cord with plug

\* Oven with glass front  
\*\* Oven with metal front

Undercounter Installation With Framed Cabinet



- (A) Cut-out (4" x 22" / 100 mm x 560 mm) in the bottom of the cabinet for power cord and ventilation
- (B) Power cord with plug

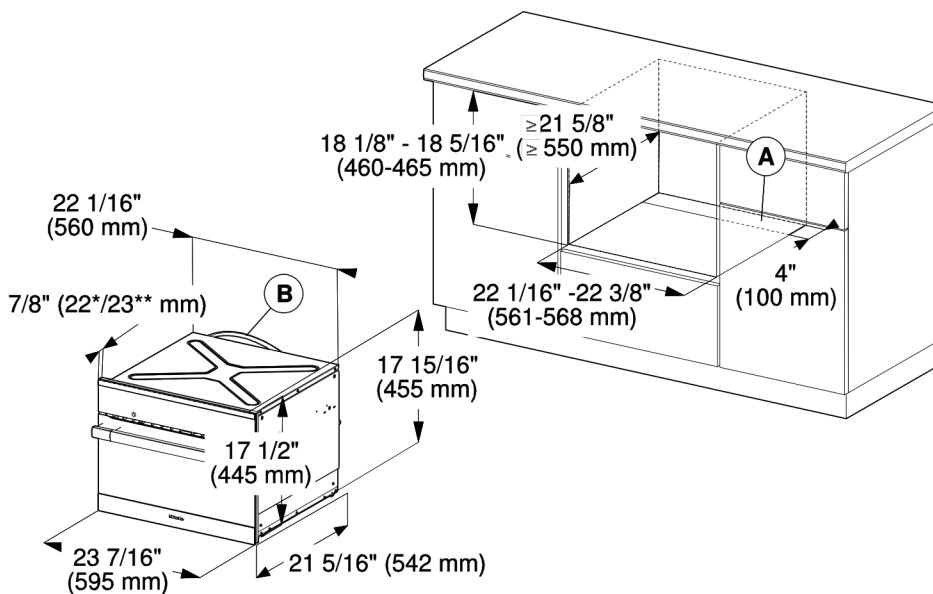
\* Oven with glass front  
\*\* Oven with metal front

# PureLine Speed Oven H 6800 BM



## INSTALLATION SPECIFICATIONS

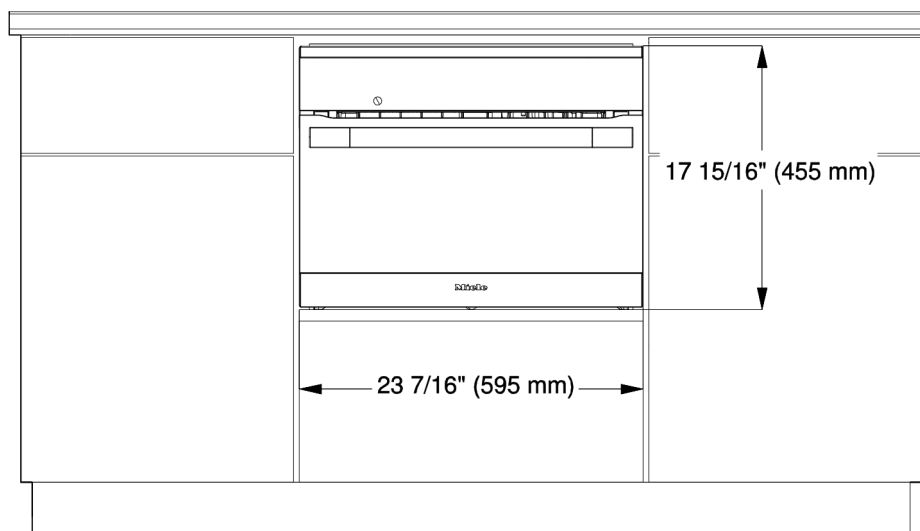
Undercounter Installation Against CounterTop



- Ⓐ Cut-out (4" x 22" / 100 mm x 560 mm) in the bottom of the cabinet for power cord and ventilation
- Ⓑ Power cord with plug

\* Oven with glass front  
\*\* Oven with metal front

Under Counter Install Against Counter Top  
Front View

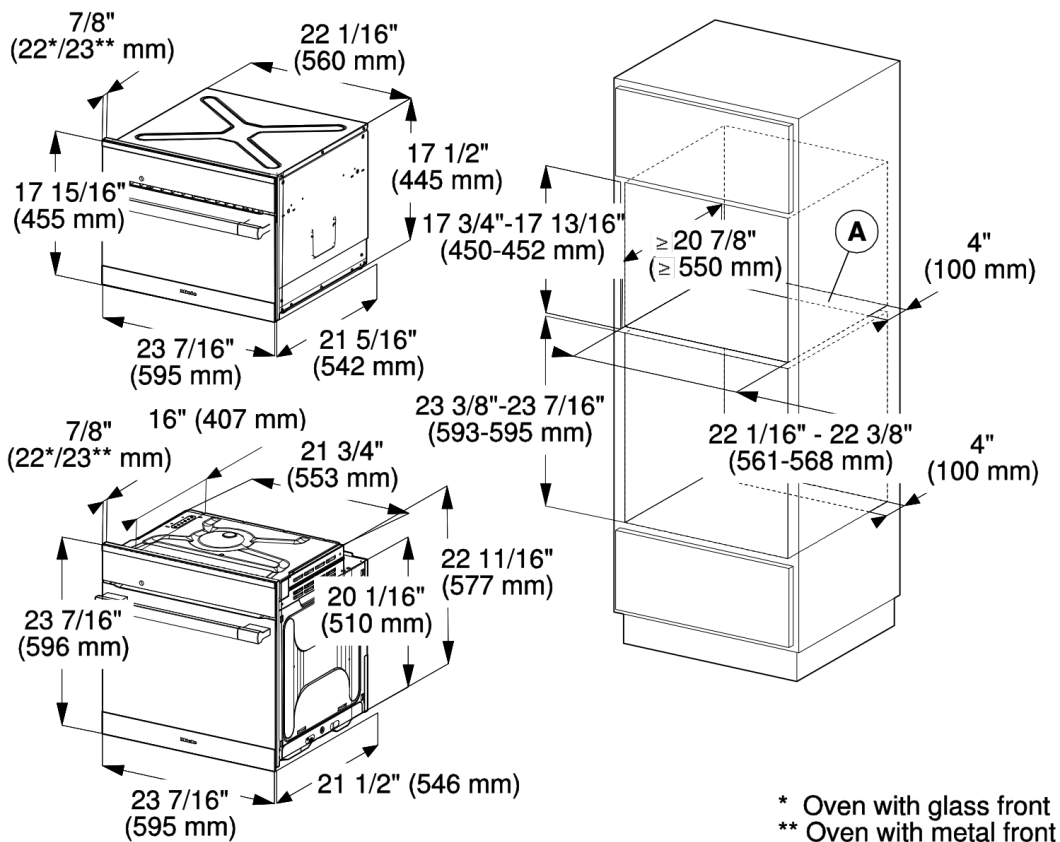


# PureLine Speed Oven H 6800 BM



## INSTALLATION SPECIFICATIONS

Stacked With 24 Inch Oven Installation

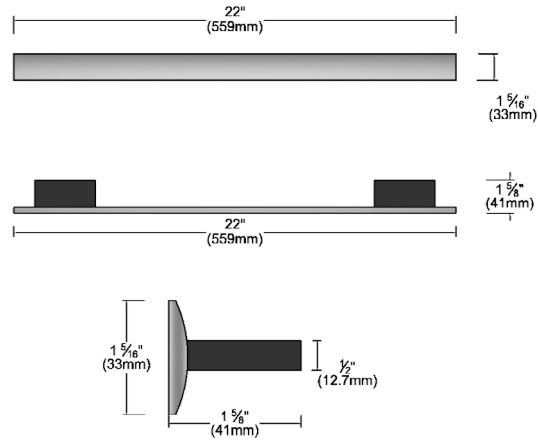


Ⓐ Cut-out (4" x 22" / 100 mm x 560 mm) in the bottom of the cabinet for power cord and ventilation



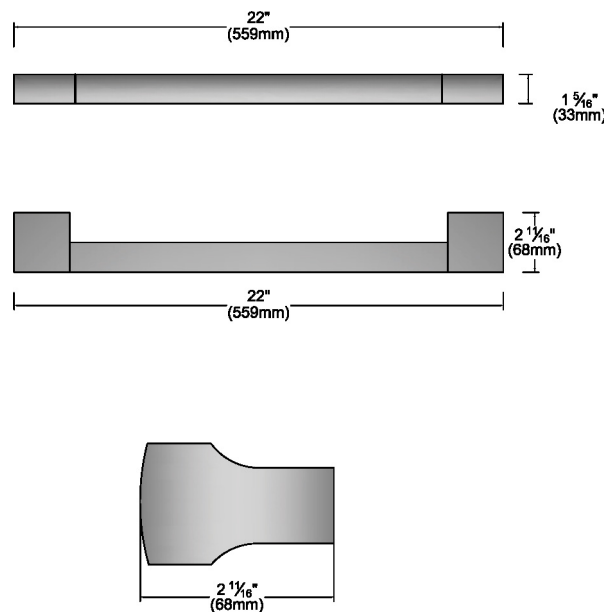
## HANDLE DETAILS

All Miele Signature And PureLine  
Handle Dimensions



Please note hinges may require adjusting or replacing when changing from a ContourLine Handle to a Pureline or Miele Signature handle.

All ContourLine Handle  
Dimensions



Please note hinges may require adjusting or replacing when changing from a Pureline or Miele Signature handle to a ContourLine Handle.